



# Open Bed Rail Bracket System - Fit Guide

Summit Racks' open bed rail brackets are available in two sizes and designed to fit most pick-up trucks. Due to the large number of variations between manufactures and model years, it's recommended that you take a few quick measurements on your specific vehicle before deciding which Summit Racks bracket will best fit your vehicle. Figure 1 outlines the basic features you will need to measure.

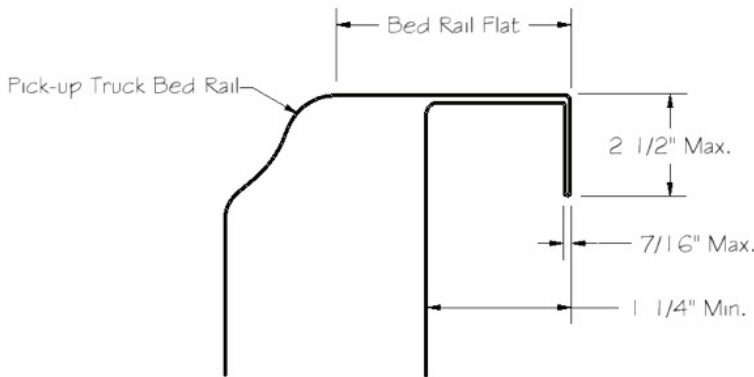


Figure 1

**\*NOTE** Some bed liners that hide or consume the bed rail may interfere with bracket installation. In most cases the bed liners can be cut-out at the bracket locations allowing installation. It is recommended to determine the bracket locations based on the specific rack system / accessory being installed before making cut-outs. This may require removal of the bed liner.

## WHICH OPEN BED RAIL BRACKET SHOULD I CHOOSE?

The bed rail flat dimension will help determine which Summit Racks bracket will best fit your truck. Summit Racks' CS-FS bracket is designed to fit most full size pick-ups with bed rails 3" and greater. The CS-C bracket is designed to fit most compact pick-ups with bed rails 3" and less. See Figure 2.

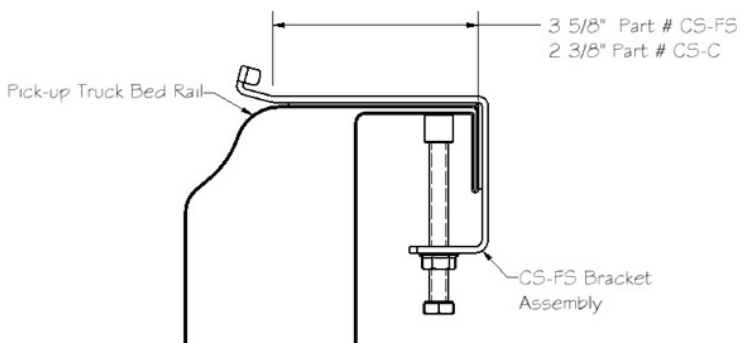


Figure 2

**\*NOTE** Choosing between the two brackets is most important if you plan on installing a bed cover over the brackets, as you need to ensure the rain-gutter portion of the bracket does not interfere with the bed cover rails.